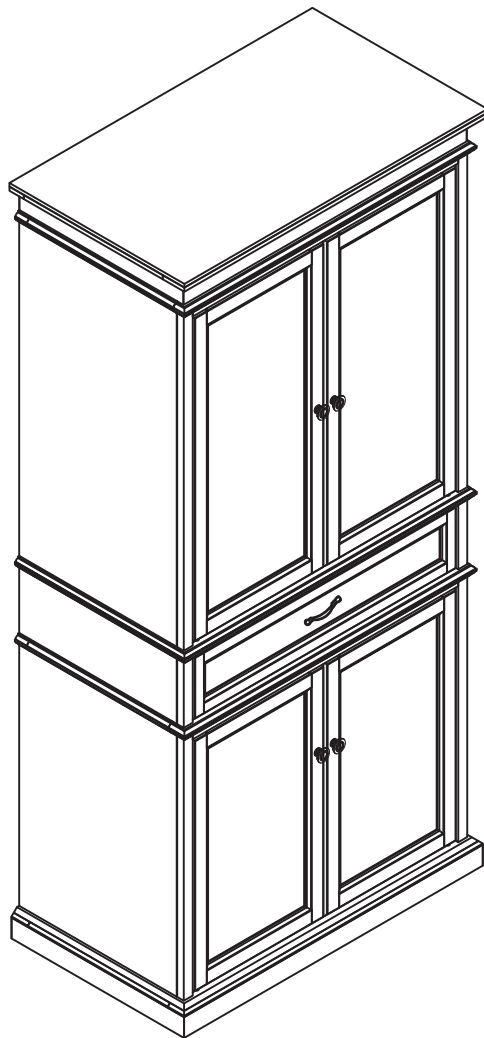
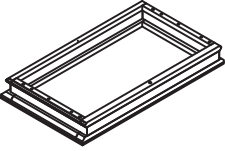
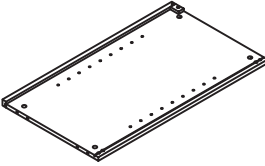
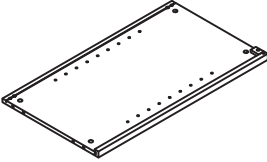
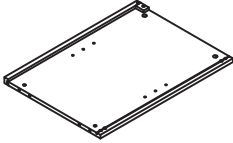
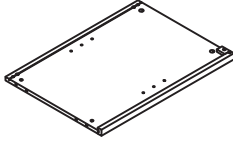
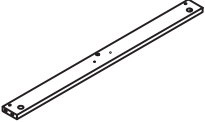
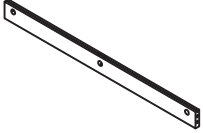
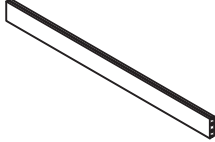
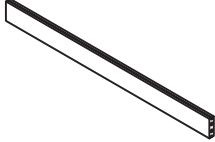
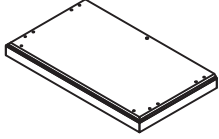


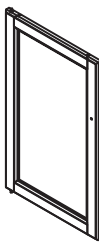
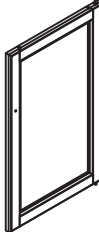


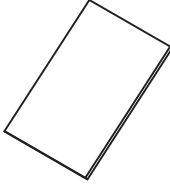
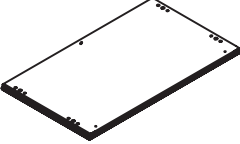
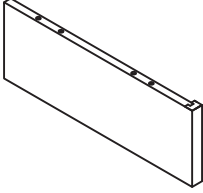
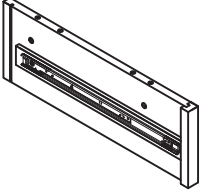
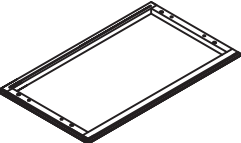
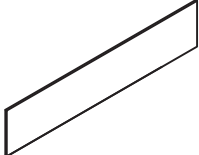
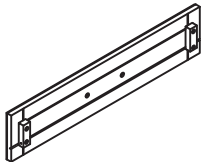
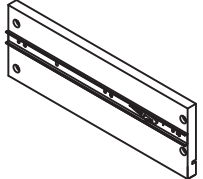
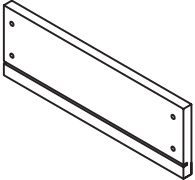




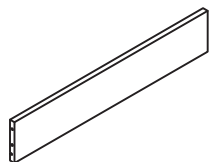
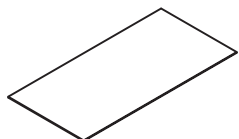
Pantry
CF3100



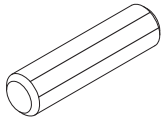
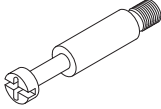

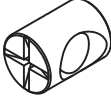
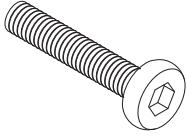
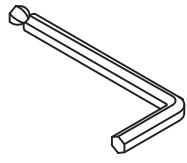

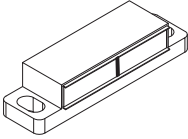
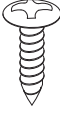


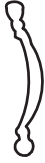
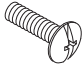
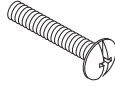
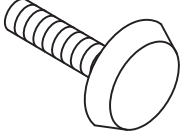



PART LIST

<p>A</p> 	<p>B</p> 	<p>C</p> 	<p>D</p> 	<p>E</p> 
<p>Top Panel 1 PC</p>	<p>Top Left Panel 1 PC</p>	<p>Top Right Panel 1 PC</p>	<p>Bottom Left Panel 1PC</p>	<p>Bottom Right Panel 1 PC</p>
<p>F</p> 	<p>G</p> 	<p>H</p> 	<p>I</p> 	<p>J</p> 
<p>Front Rail 2 PCS</p>	<p>Back Rail 4 PCS</p>	<p>Middle Bottom Rail 1PC</p>	<p>Middle Top Rail 1PC</p>	<p>Bottom Panel 1 PC</p>
<p>K</p> 	<p>L</p> 	<p>M</p> 	<p>N</p> 	<p>O</p> 
<p>Top Left Door Panel 1 PC</p>	<p>Top Right Door Panel 1 PC</p>	<p>Bottom Left Door Panel 1 PC</p>	<p>Bottom Right Door Panel 1 PC</p>	<p>Top Back Panel 2 PCS</p>
<p>P</p> 	<p>Q</p> 	<p>R</p> 	<p>S</p> 	<p>T</p> 
<p>Bottom Back Panel 2 PCS</p>	<p>Adjustable Shelf 3 PCS</p>	<p>Middle Shelf 1 PC</p>	<p>Middle Left Panel 1 PC</p>	<p>Middle Right Panel 1 PC</p>
<p>U</p> 	<p>V</p> 	<p>W</p> 	<p>X</p> 	<p>Y</p> 
<p>Middle Bottom Panel 1 PC</p>	<p>Middle Back Panel 1 PC</p>	<p>Drawer Front Panel 1 PC</p>	<p>Drawer Left Panel 1 PC</p>	<p>Drawer Right Panel 1 PC</p>

PART LIST

<p>Z</p> 	<p>ZA</p> 
<p>Drawer Back Panel 1 PC</p>	<p>Drawer Bottom Panel 1 PC</p>

HARDWARE LIST

<p>#1</p>  <p>Ø8*30</p>	<p>#2</p> 	<p>#3</p> 	<p>#4</p> 	<p>#5</p>  <p>2"*Ø1/4"*D11</p>
<p>Wood Dowel 44 PCS (Extra 1)</p>	<p>Cam Bolt 28 PCS</p>	<p>Cam Lock 28 PCS (Extra 2)</p>	<p>Barrel Nut 12 PCS</p>	<p>Bolt 12 PCS</p>
<p>#6</p> 	<p>#7</p> 	<p>#8</p> 	<p>#9</p>  <p>14mm*Ø3*D6</p>	<p>#10</p>  <p>1"*Ø4*D8</p>
<p>Allen Wrench 1 PC</p>	<p>Shelf Holder 12 PCS</p>	<p>Double Magnet 2 PCS</p>	<p>Round Head Screw 12 PCS (Extra 2)</p>	<p>Screw 10 PCS (Extra 1)</p>
<p>#11</p> 	<p>#12</p> 	<p>#13</p>  <p>3/8"*Ø5/32"*D9</p>	<p>#14</p>  <p>7/8"*Ø5/32"*D9</p>	<p>#15</p> 
<p>Knob 4 PCS</p>	<p>Handle 1 PC</p>	<p>Short Round Head Bolt 2 PCS</p>	<p>Long Round Head Bolt 4 PCS</p>	<p>Adjustable Leveler 4 PCS</p>
<p>#16</p> 	<p>#17</p> 	 <p>(Spare Part)</p>		
<p>Safety Strap Kit 1 SET</p>	<p>Back Panel Bracket 8 PCS</p>	<p>Pin Hinge (Extra 4)</p>		

ADDITIONAL TOOLS (Not Provided)

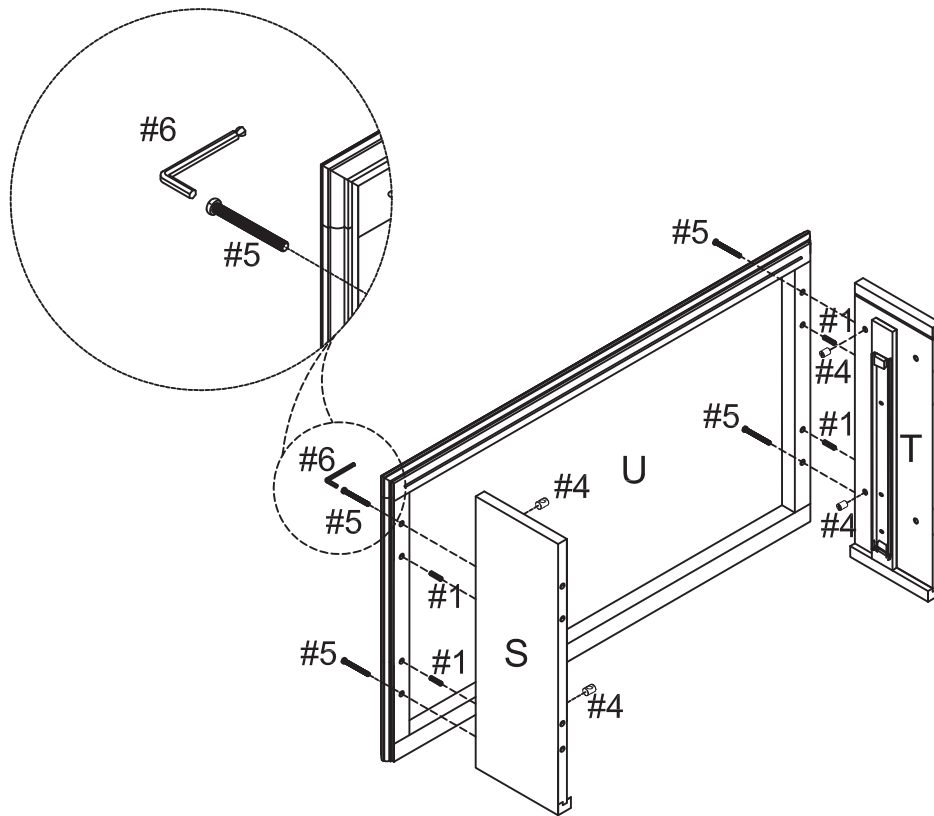
Note: It is not recommended to use power tools during assembly.



Phillips Head Screwdriver

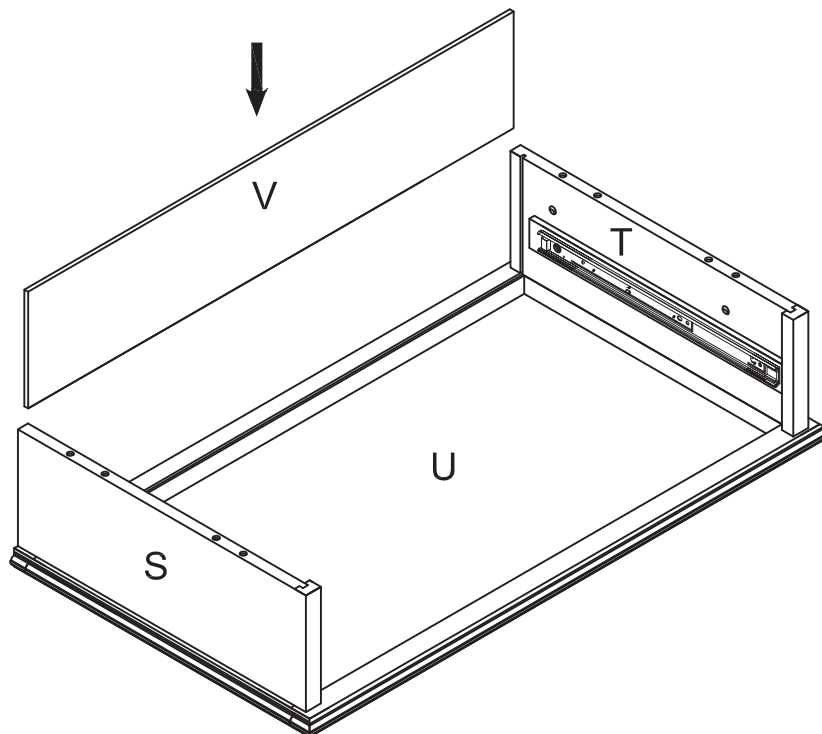
Note: Wood dowels are intended for alignment. Additional clearance between wood dowel and pre-drilled hole is intentional for ease of assembly.

Step 1. Attach middle left panel (part S) and middle right panel (part T) to middle bottom panel (part U) using wood dowels (part #1), barrel nuts (part #4), bolts (part #5) and allen wrench (part #6).

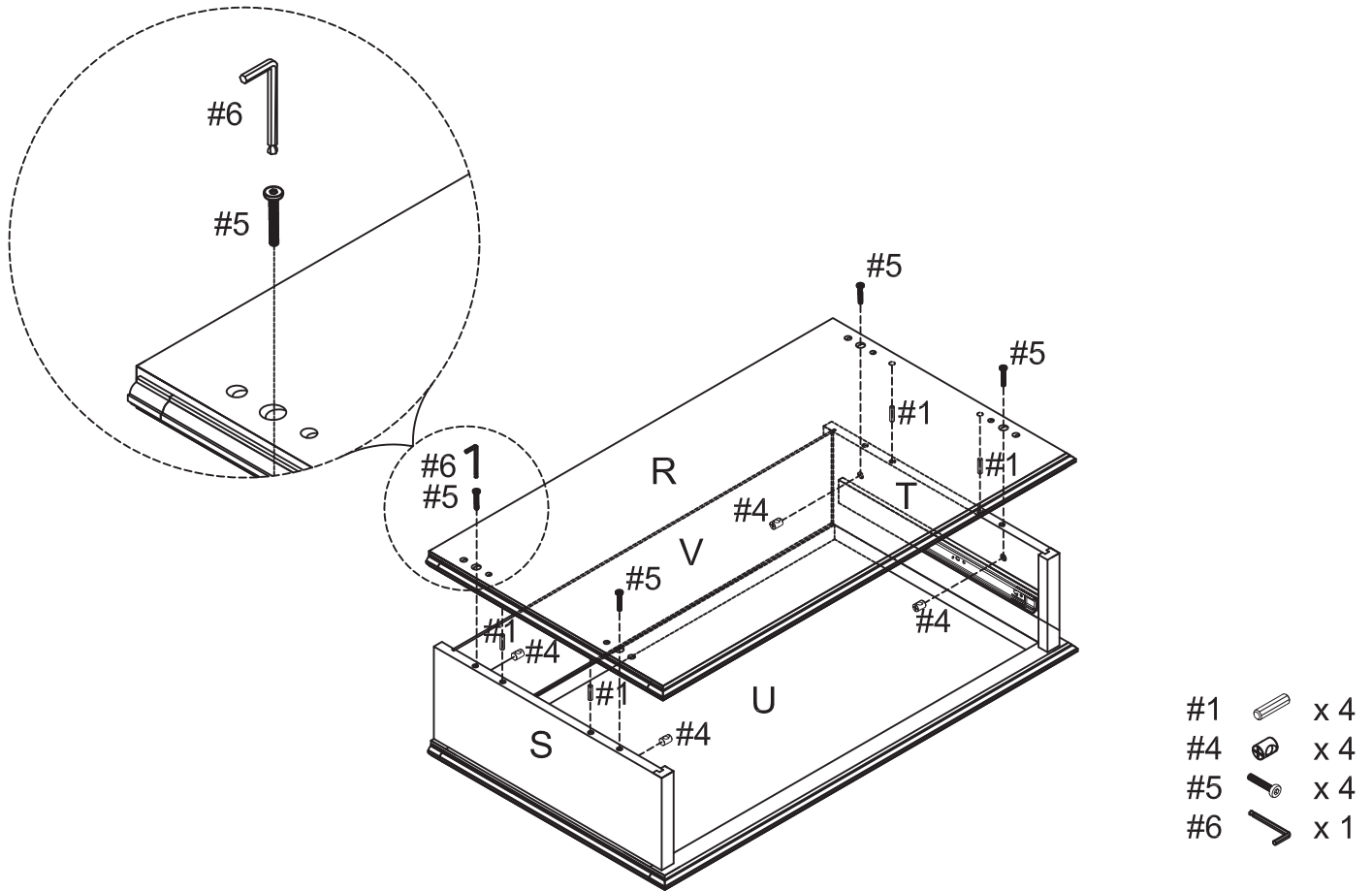


- | | | |
|----|---|-----|
| #1 |  | x 4 |
| #4 |  | x 4 |
| #5 |  | x 4 |
| #6 |  | x 1 |

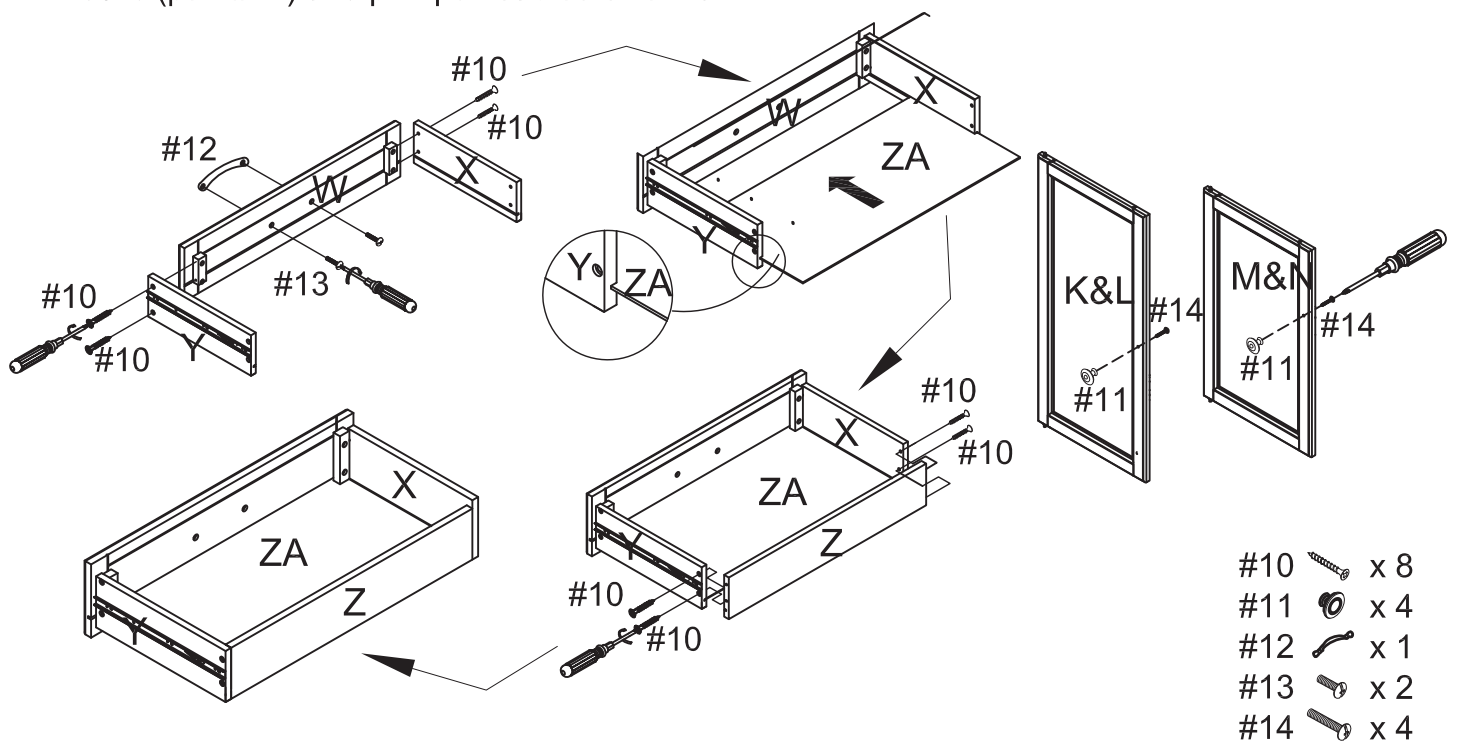
Step 2. Slide middle back panel (part V) into grooves of middle left panel (part S), middle right panel (part T) and middle bottom panel (part U).



Step 3. Attach middle shelf (part R) to assembled unit (parts S,T,U & V) using wood dowels (part #1), barrel nuts (part #4), bolts (part #5) and allen wrench (part #6).

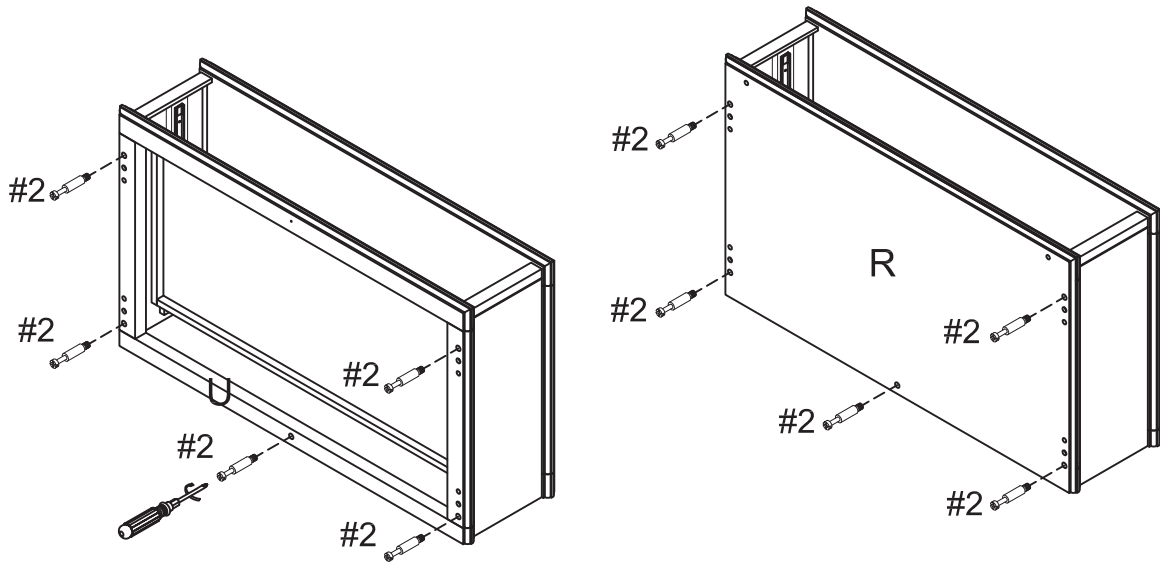


Step 4. Attach handle (part #12) to drawer front panel (part W) using short round head bolts (part #13) and phillips head screwdriver. Attach drawer left panel (part X) and drawer right panel (part Y) to drawer front panel (part W) using screws (part #10) and phillips head screwdriver. Slide drawer bottom panel (part ZA) into grooves of assembled unit (parts W, X & Y). Attach drawer back panel (part Z) to assembled unit (parts X, Y & ZA) using screws (part #10) and phillips head screwdriver. Attach knobs (part #11) to door panels (parts K, L, M & N) using long round head bolts (part #14) and phillips head screwdriver.



Step 5. Insert cam bolts (part #2) into middle shelf (part R) and middle bottom panel (part U) using phillips head screwdriver.

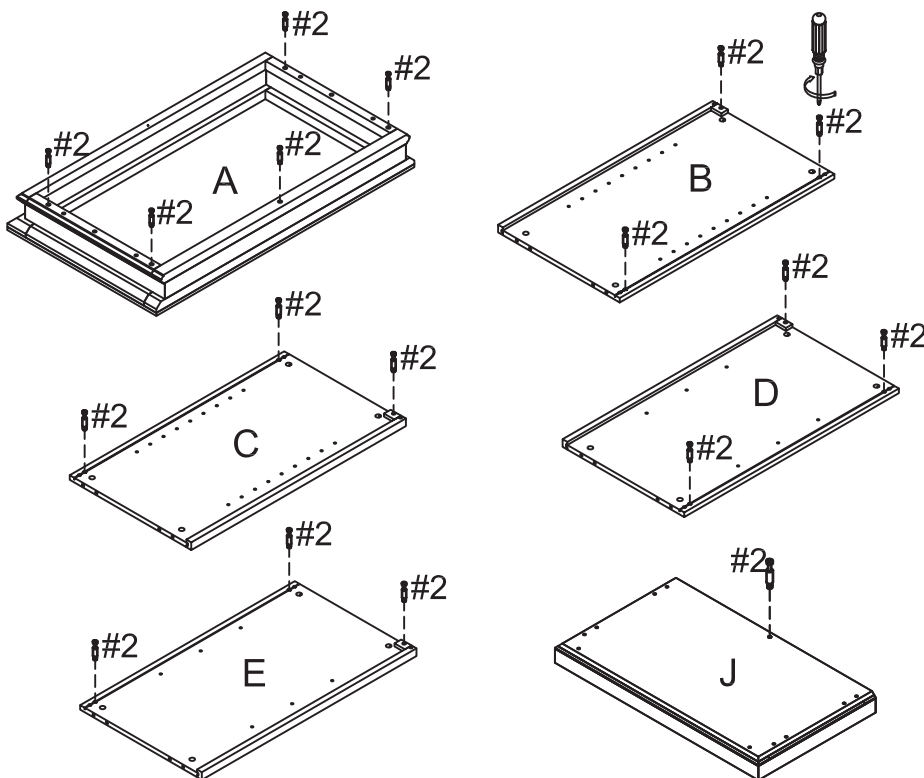
NOTE: Do not overtighten cam bolts. Stop tightening once threads on cam bolt are no longer visible.



#2  x 10

Step 6. Insert cam bolts (part #2) into top panel (part A), top left panel (part B), top right panel (part C), bottom left panel (part D), bottom right panel (part E) and bottom panel (part J) using phillips head screwdriver.

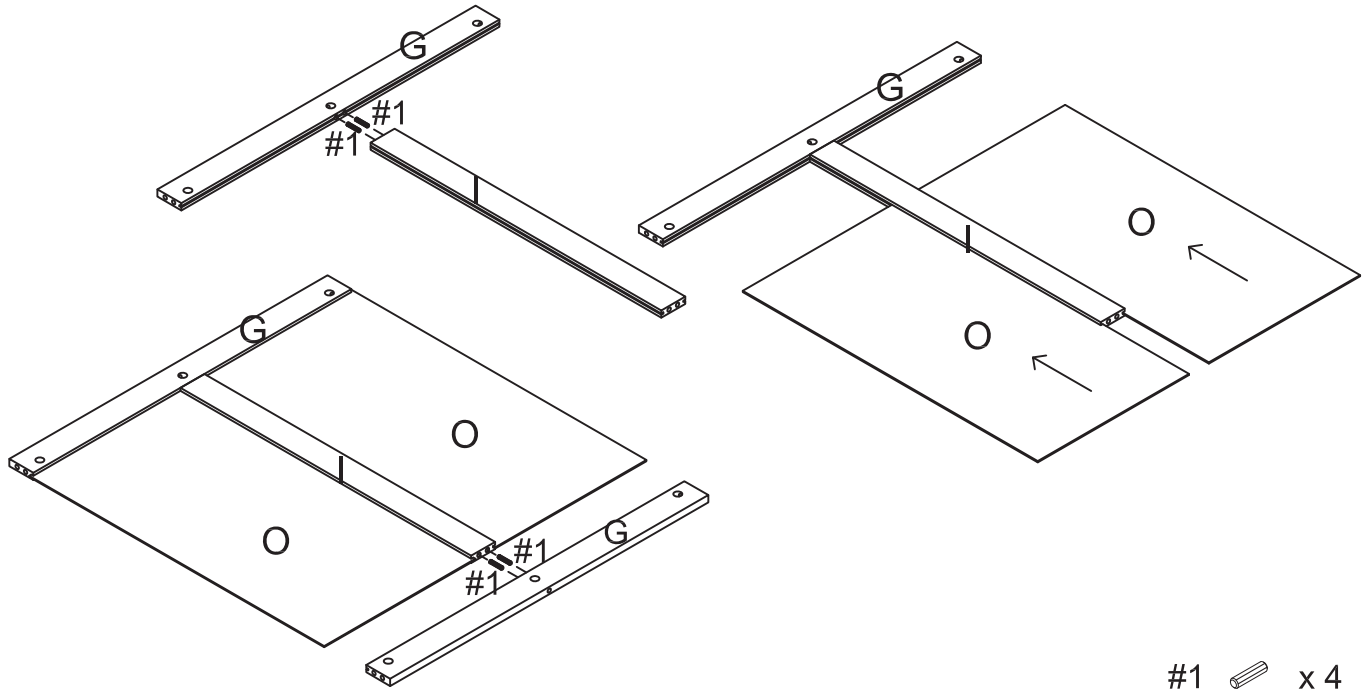
NOTE: Do not overtighten cam bolts. Stop tightening once threads on cam bolt are no longer visible.



#2  x 18

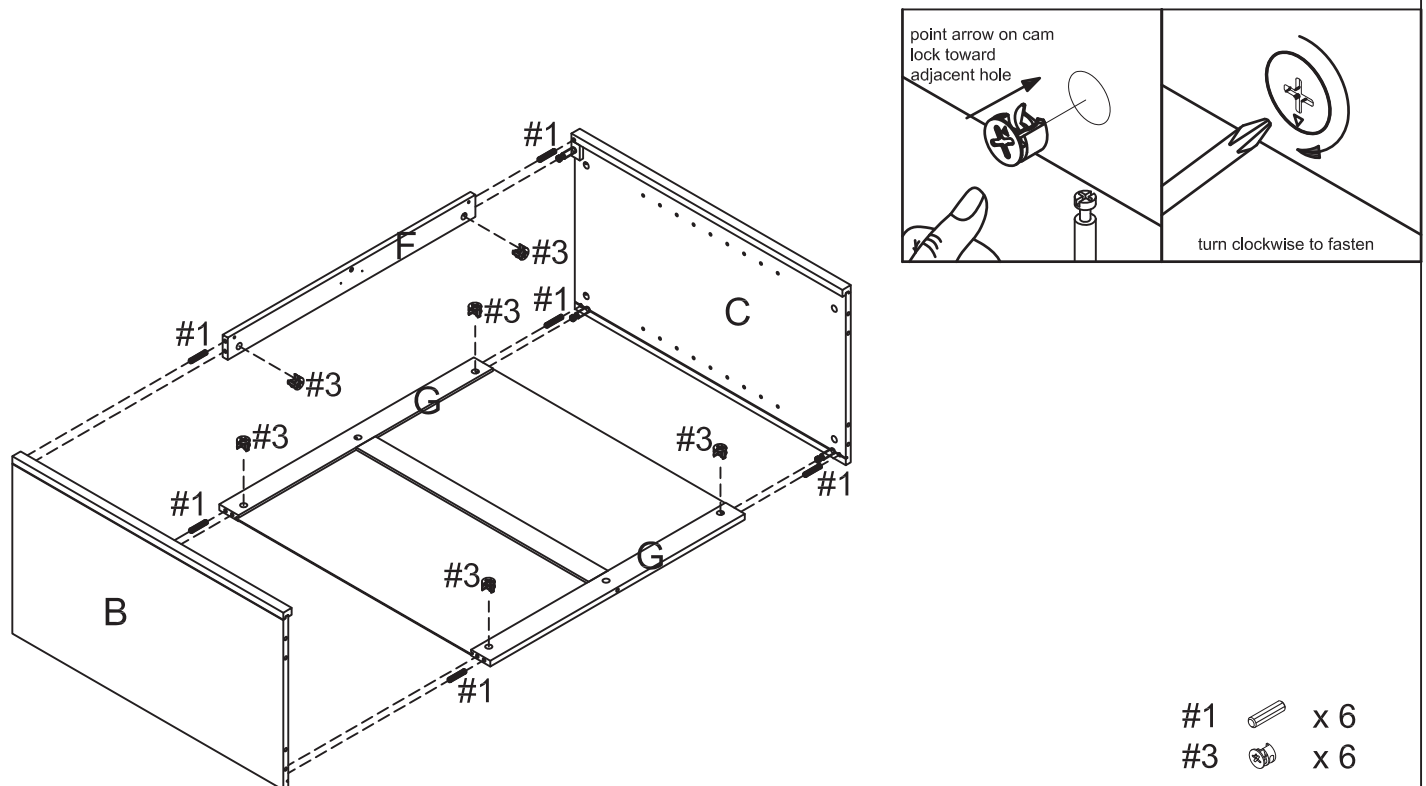
Step 7. Attach middle top rail (part I) to back rail (part G) using wood dowels (part #1). Insert top back panels (part O) into the grooves of assembled unit (parts G & I). Attach back rail (part G) to middle top rail (part I) using wood dowels (part #1).

NOTE: Be sure panels are completely inserted into grooves of rails.



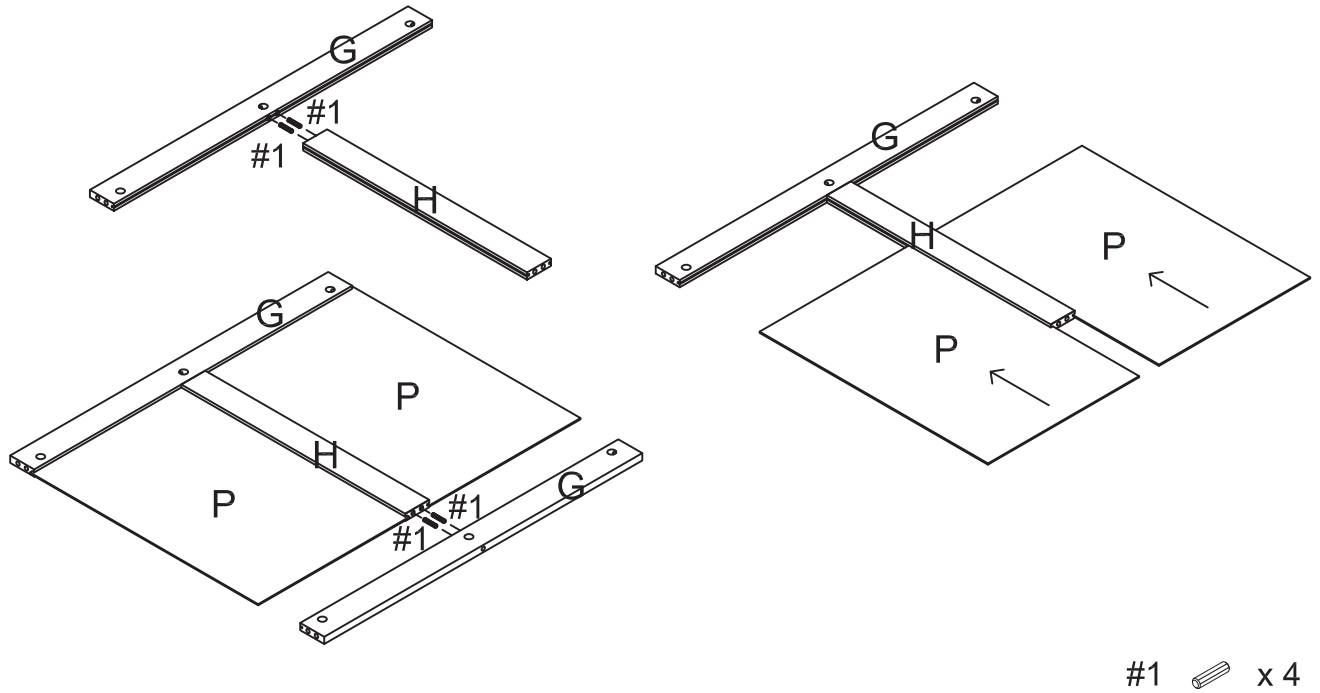
Step 8. Attach top left panel (part B) and top right panel (part C) to back rails (part G) and front rail (part F) using wood dowels (part #1) and cam locks (part #3).

NOTE: Cam locks must rotate a full 180°. See pictured insert.



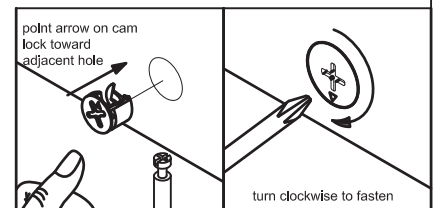
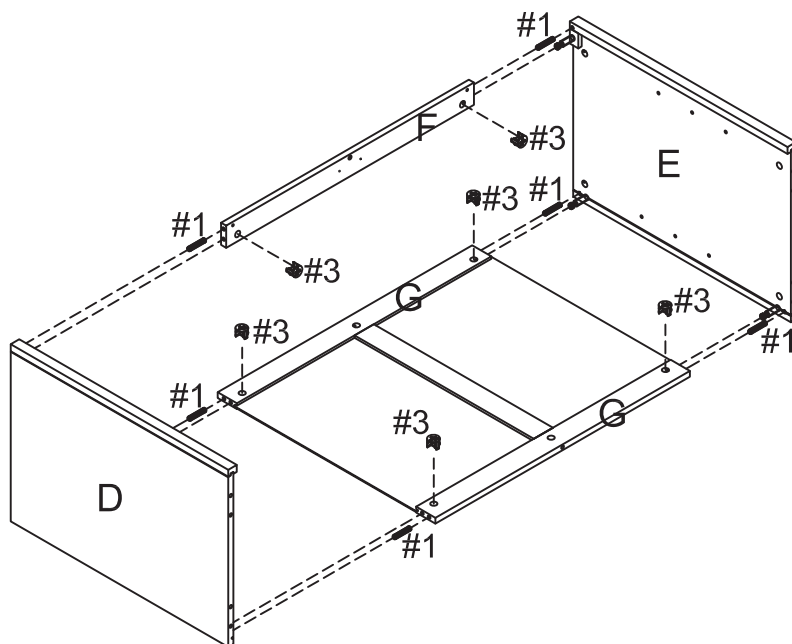
Step 9. Attach middle bottom rail (part H) to back rail (part G) using wood dowels (part #1). Insert bottom back panels (part P) into the grooves of assembled unit (parts G & H). Attach back rail (part G) to middle bottom rail (part H) using wood dowels (part #1).



NOTE: Be sure panels are completely inserted into grooves of rails.



Step 10. Attach bottom left panel (part D) and bottom right panel (part E) to back rails (part G) and front rail (part F) using wood dowels (part #1) and cam locks (part #3).

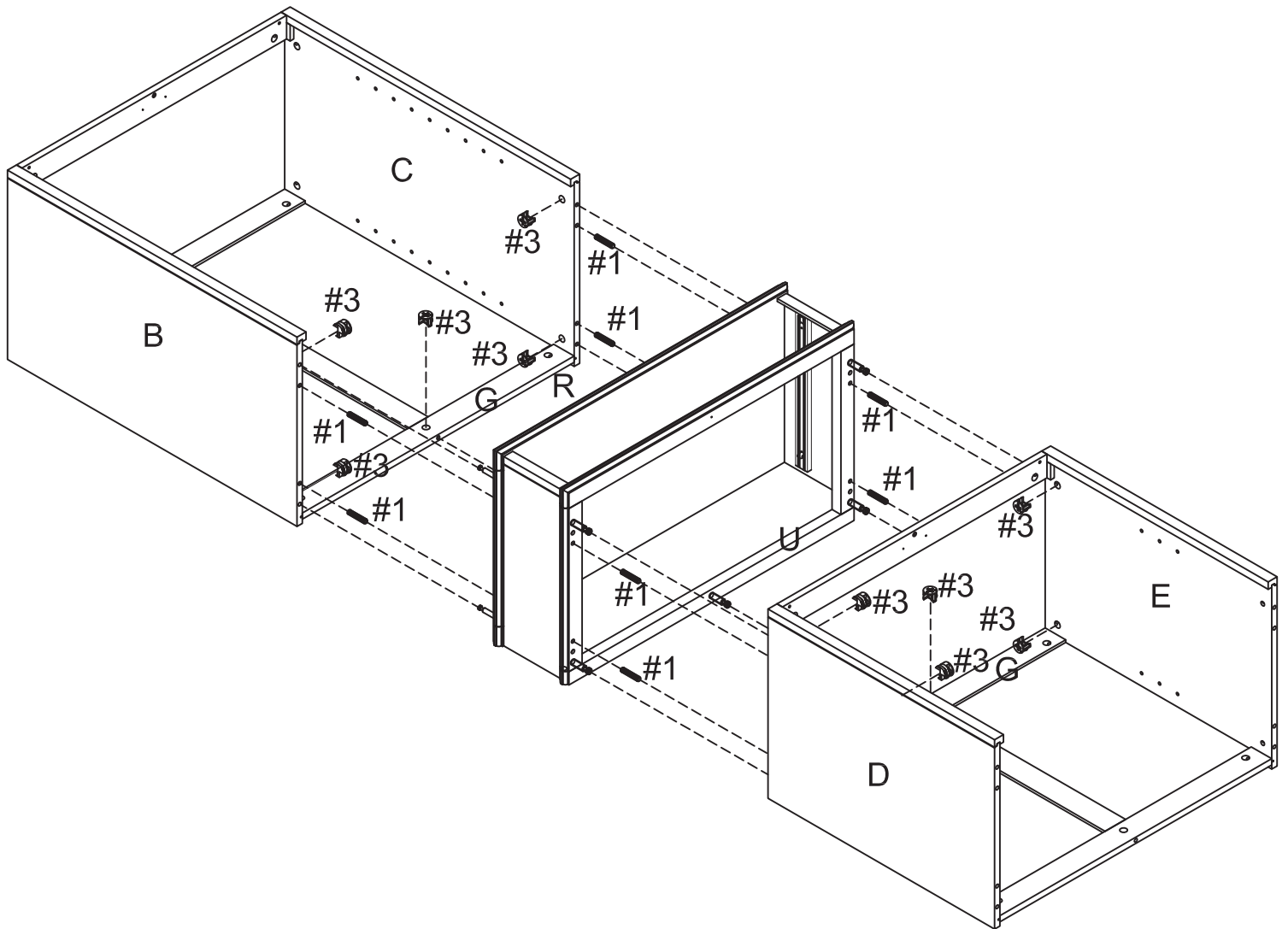
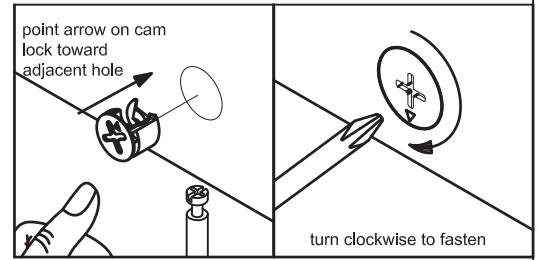
NOTE: Cam locks must rotate a full 180°. See pictured insert.





#1  x 6
 #3  x 6

Step 11. Attach assembled unit (parts B, C, & G) to middle shelf (part R) and assembled unit (parts D, E & G) to middle bottom panel (part U) using wood dowels (part #1) and cam locks (part #3).

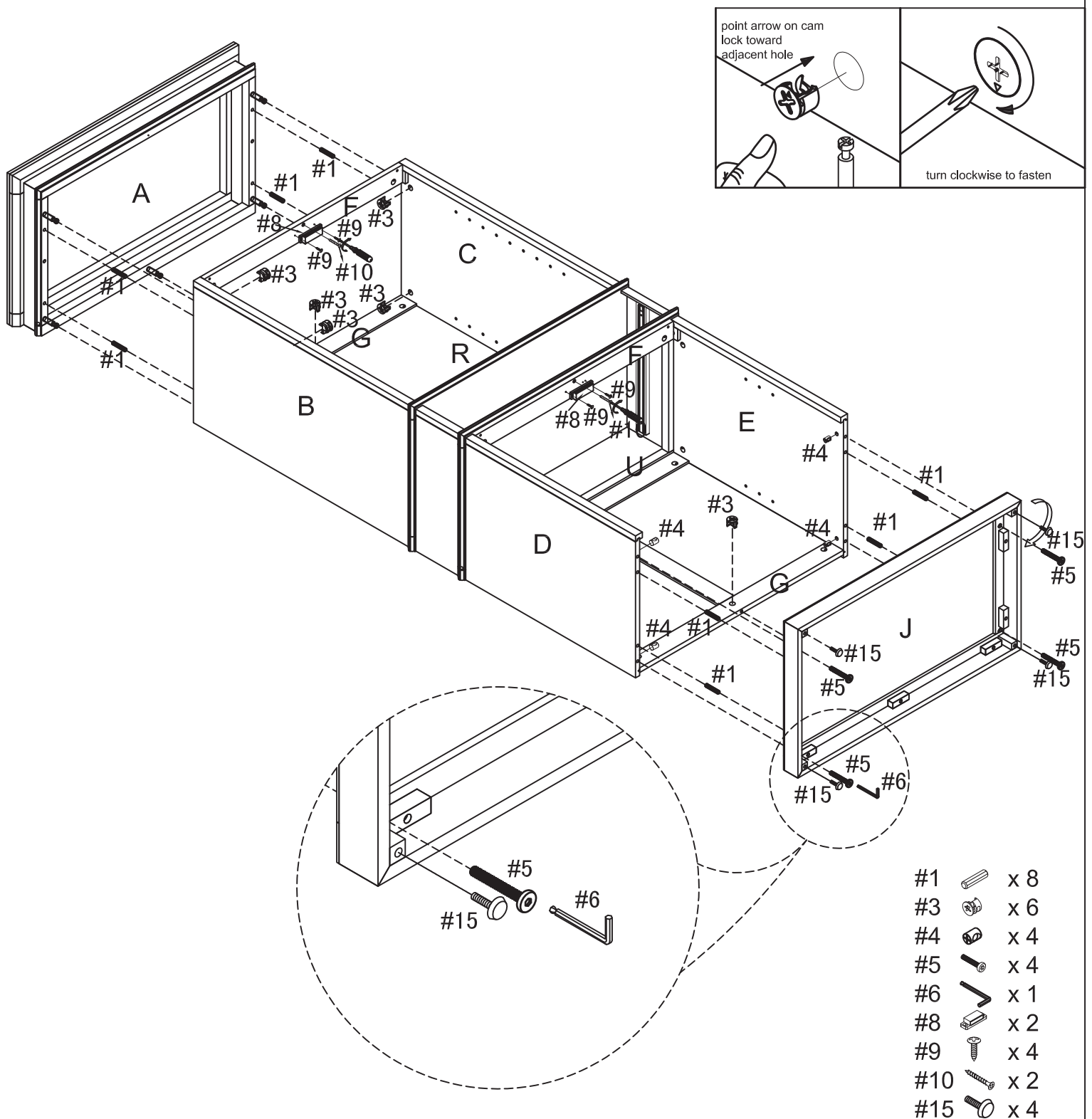
NOTE: Cam locks must rotate a full 180°. See pictured insert.



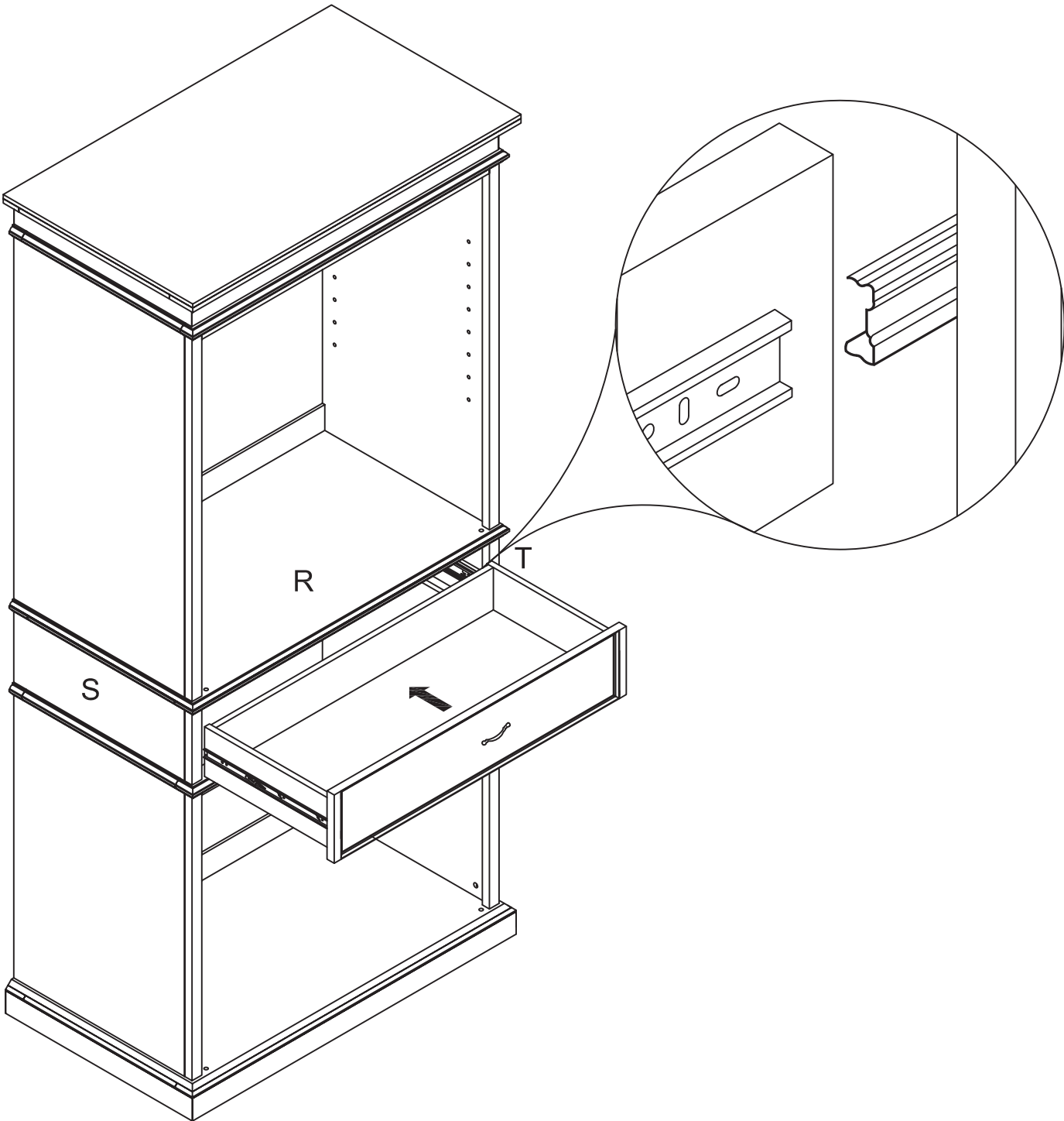
- #1  x 8
- #3  x 10

Step 12. Attach top panel (part A) to assembled unit (parts B, C, F & G) using wood dowels (part #1) and cam locks (part #3). Attach bottom panel (part J) to assembled unit (parts D, E & G) using wood dowels (part #1), cam lock (part #3), bolts (part #5), barrel nuts (part #4) and allen wrench (part #6). Attach adjustable levelers (part #15) into bottom panel (part J). Secure front rails (part F) to top panel (part A) and middle bottom panel (part U) using screws (part #10) and phillips head screwdriver. Attached double magnets (part #8) to front rails (part F) using round head screws (part #9) and phillips head screwdriver.

NOTE: Cam locks must rotate a full 180°. See pictured insert.

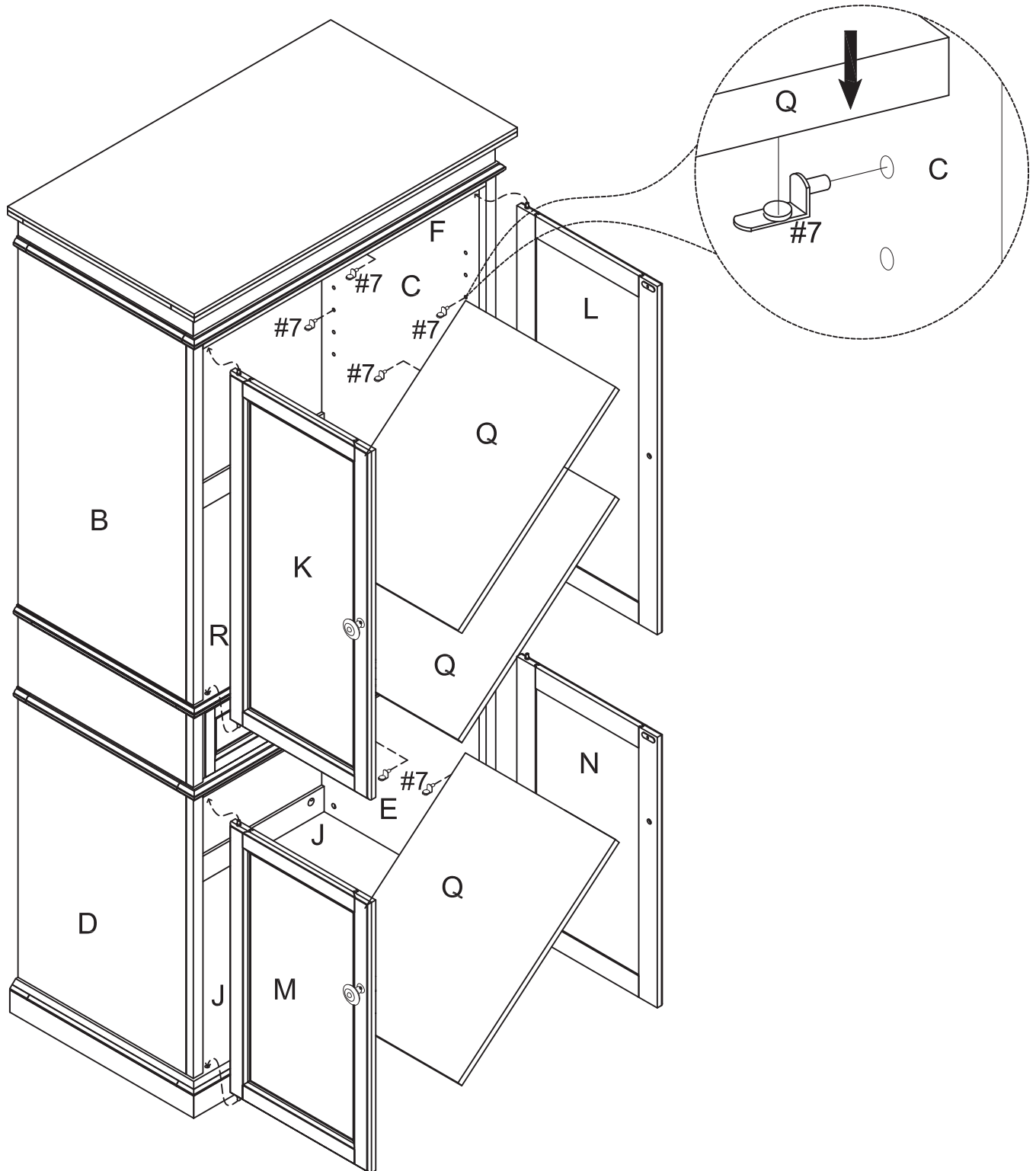


Step 13. Slide assembled drawer into place.



Step 14. Place shelf holders (part #7) into desired position and then slide adjustable shelves (part Q) into place. Attach door panels (parts K, L, M & N) by placing bottom pin hinge (pre-installed in door) in the pre-drilled hole of middle shelf (part R) and bottom panel (part J). Then depress the top spring-loaded pin hinge so it can be placed in the pre-drilled hole of front rails (part F).

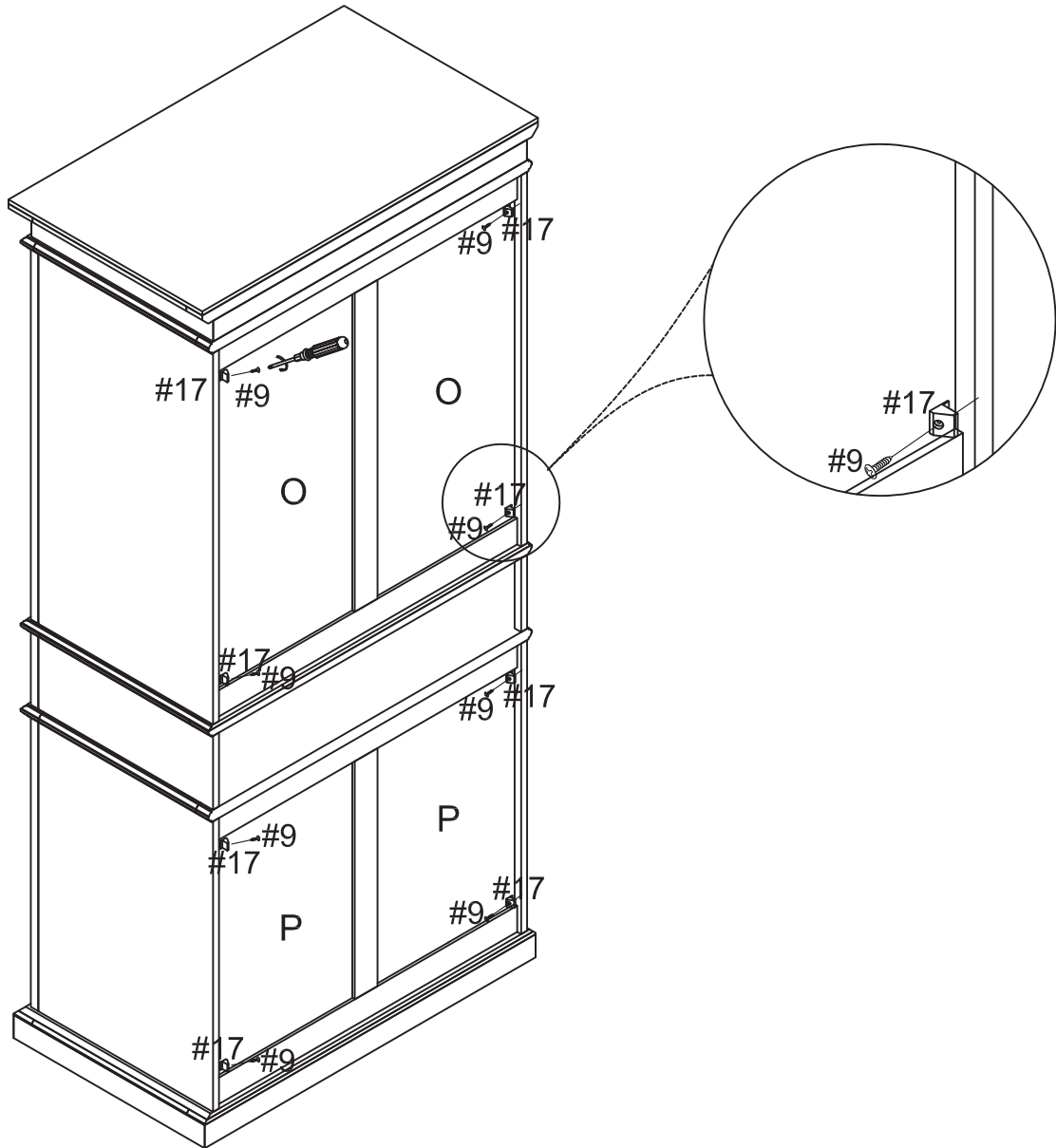
NOTE: Be sure top and bottom pin hinges are fully extended to secure doors in place.




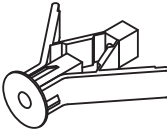



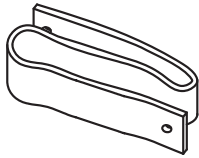
#7  x 12

Step 15. Attach back panel brackets (part #17) to back panels (parts O & P) using round head screws (part #9) and phillips head screwdriver.

NOTE: It is important to adjust levelers once fully assembled and upright. Extend adjustable leveler until it's firmly in contact with the floor. If relocating, adjust leveler as needed until it's firmly in contact with the floor in new location.



#9  x 8
#17  x 8

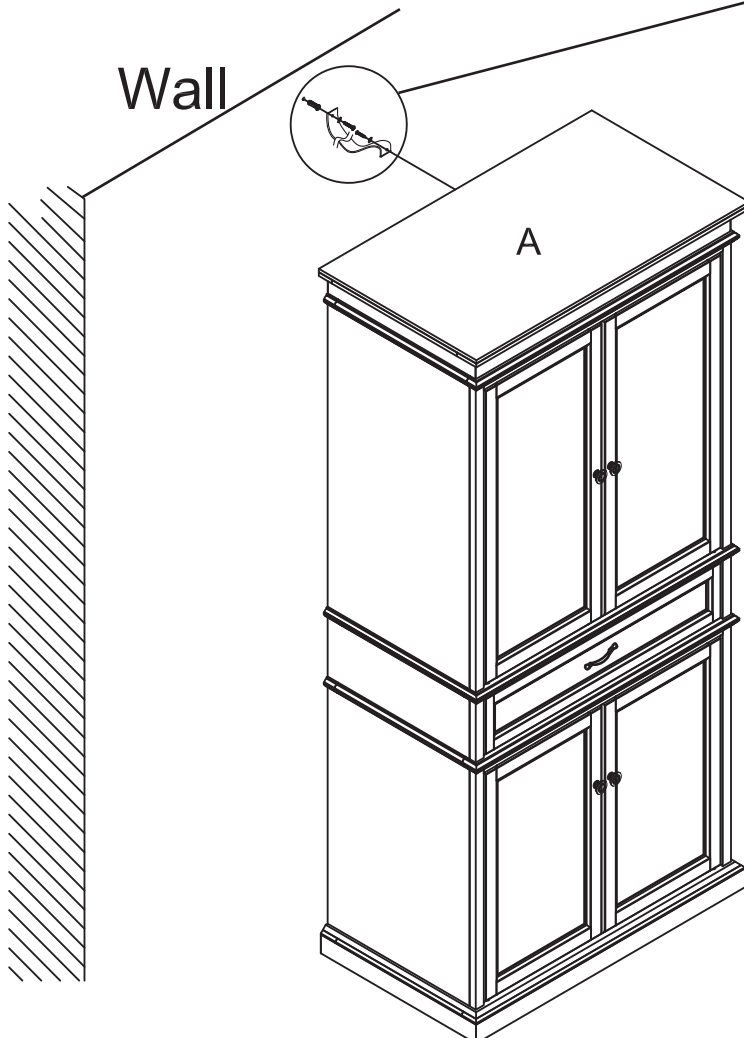
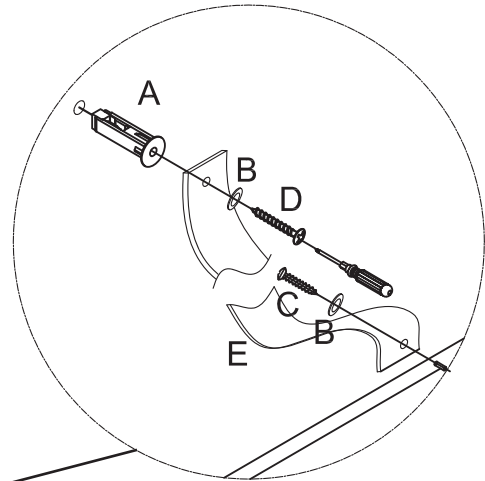
#16	A	B	C	D	E
			 D8*3/4"	 D8*1-1/2"	
Safety Strap Kit 1 SET	Wall Anchor 1 PC	Washer 2 PCS	Short Screw 1 PC	Long Screw 1 PC	Safety Wall Strap 1 PC

SAFETY WALL STRAP INSTALLATION

Note: It is highly recommended to install this safety strap kit to prevent tipping, damage and/or injury.

1. Insert short screw (C) through washer (B) and safety wall strap (E) and attach to top panel (part A) using phillips head screwdriver.
2. Drill a 11/32" hole where you want to secure the unit. The drilled hole will be at the same height as the hole in top panel (part A) where safety wall strap (E) is attached. Tap wall anchor (A) into the hole.
3. Insert long screw (D) through washer (B) and safety wall strap (E) into wall anchor (A) using phillips head screwdriver.

Note: This item is not intended for clothing storage use.



⚠ WARNING




Children have died from furniture tipover. To reduce the risk of furniture tipover:

- ALWAYS install tipover restraint provided.
- NEVER put a TV on this product.
- NEVER allow children to stand, climb or hang on drawers, doors, or shelves.
- NEVER open more than one drawer at a time.
- Place heaviest items in the lowest drawers.

*This is a permanent label.
Do not remove!*